



**A** complete line of PCSC Exit Devices are available for your specific needs. Among PCSC's most popular is the illuminated "Press to Exit" button. This heavy duty button is available in two sizes and features a stainless steel backing plate, large red lighted button and "Press to Exit" lettering.

Designed for high traffic areas, heavy duty use and high visual recognition. Ease of operation make these buttons ideal in emergency situations, allowing you to exit quickly with only a light push for activation.

For easy mounting and installation these exit release buttons are available in mullion mount and single gang box configurations. These buttons work with all access control systems and can be configured for initially open or initially closed operations.

Call for details on other button types and configurations available.

**Our Promise To You**

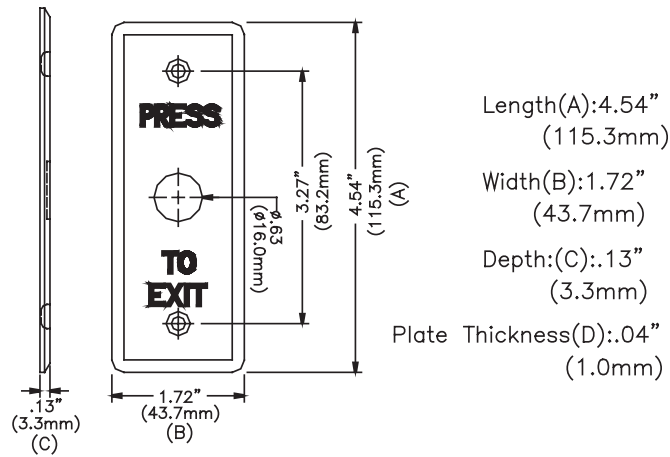
All PCSC products are backed by our commitment for complete customer satisfaction, rapid response to your concerns and commitment for technology leadership. Your satisfaction will be that the product you purchase today will have the capabilities to evolve as your requirements change.

**Specifications**

- 12 / 24 VDC
- Small Push Button Dry Contact Ratings: 5A / 25 VAC
- Large Push Button Dry Contact Ratings:  
6A / 125 VAC or 3A / 300 VAC
- Timer Body: Lexan Plastic Molded
- Time Range: 2 seconds to 0 seconds +/- 15%
- Timer Life: 1,000,000 Operations
- Repeat Accuracy: +/- 10%
- Switch Rating: 10 amp (Resistive) 240 VAC
- Terminals: Solder Type
- Temperature Range: +15 to 120 degrees Farenhight  
(-9 to +49 degrees Centigrade)
- Terminals: Solder Type
- Repeat Accuracy: +/- 10%

**Features**

- ▶ Easy to operate, requires only a light push for activation
- ▶ Can be mounted anywhere for convenient operation
- ▶ Available in mullion mount and single gang box configurations
- ▶ Large lighted red button for easy visual recognition, even in emergency conditions
- ▶ Works with all access control systems
- ▶ Heavy duty design made specifically for high traffic areas
- ▶ Can be configured for initially open or initially closed



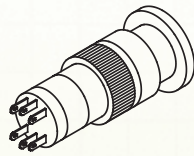
### PUSH-BUTTON WIRING DIAGRAM

(1). Push-button dry contacts ratings:  
 5A/25VAC.

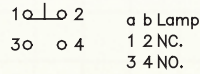
Do not exceed the above ratings for safe operations.

(2). For Normally Open requirement, connect to 3 & 4.

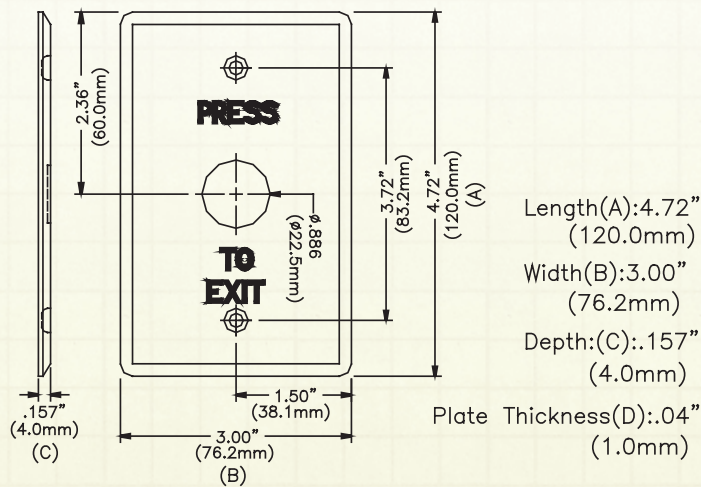
(3). For Normally Closed requirement, connect to 1 & 2.



Bottom view



a-L-b(+)  
 Lamp DC12V



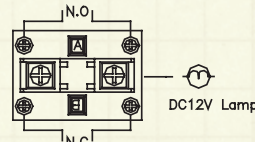
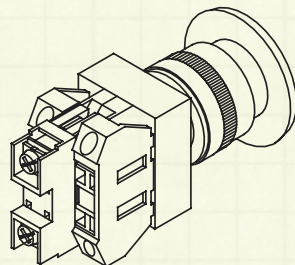
### PUSH-BUTTON WIRING DIAGRAM

(1). Push-button dry contacts ratings:  
 6A/125VAC or 3A/300VAC.

Do not exceed the above ratings for safe operations.

(2). For Normally Open requirement, connect to A.

(3). For Normally Closed requirement, connect to B.



Bottom view