

## Anti vandal proximity reader

cat. 39201470



The EVERSWITCH anti vandal 125 KHz HID proximity reader provides the ultimate solution for users operating in harsh environment high traffic areas.

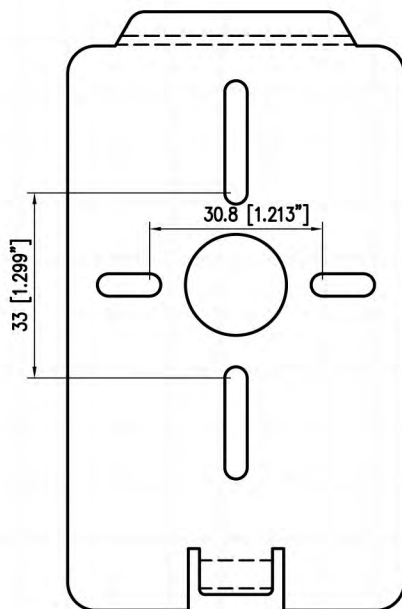
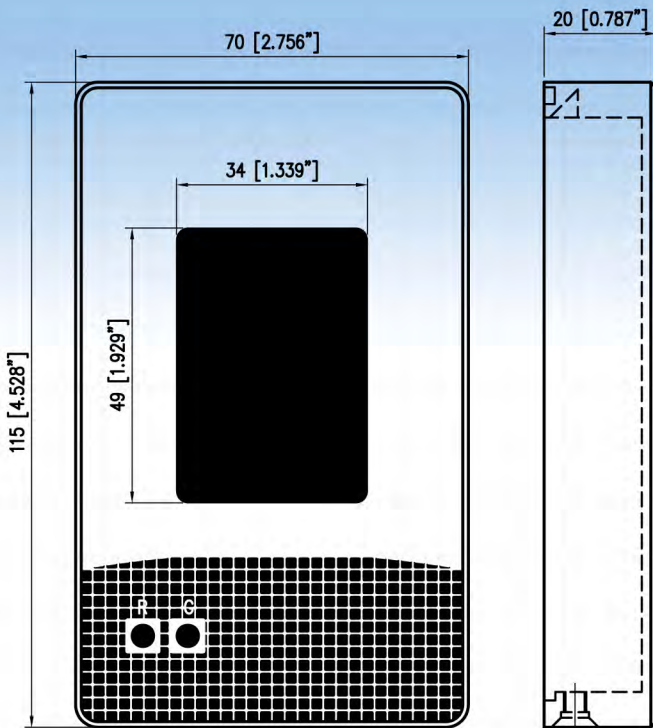
**Indoor/Outdoor design:** Sealed in a rugged, weatherized Aluminum enclosure the EVERSWITCH is designed to withstand harsh environment, providing reliable performance and is vandal and tamper proof.

**Easily interfaced:** Wiegand output model interfaces with all existing Wiegand protocol access control systems.

**The EVERSWITCH / HID proximity is:**

- \* Vandal proof
- \* Tamper proof
- \* Weather proof
- \* Water and dust proof IP68

**EVERSWITCH**  
**EVERSWITCH**  
PROXIMITY  
BIOMETRIC  
SMART CARD  
MAGSTRIPE



## Specifications

**Model: EVERSITCH/HID anti vandal reader**

Part numbers: 39201470

Material: Brushed aluminum

Output formats: Wiegand depending on Card

Prox Power Supply: 8 to 15 VDC

Data Format: Wiegand depending on Card

Power consumption: Max 150mA

Transmitter/Receiver frequency: 125 KHz HID card Age reader

Environment: IP68

Operation temperature reader: -20° to +75°C

## Guaranty

Product guaranteed against defects and workmanship for 5 years (See guaranty policy for details).

Third party system such as prox, smart card, card reader system warranted back to back as per the manufacturer warranty.